

RUGGED COVER

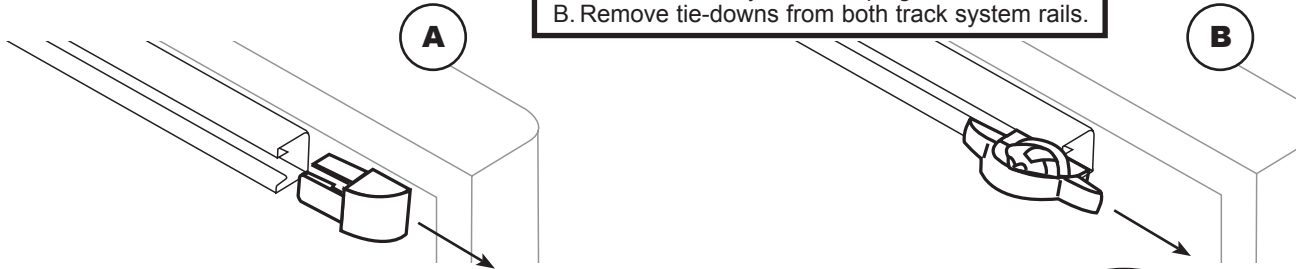
Premium Rollup Cover Rail Installation Instructions For Toyota Tacoma

200 Universal Dr. • Owosso, MI 48867 • 989-725-8354 • Fax: 989-725-8409 • 1-800-433-3604

1 PREPARING TO INSTALL SIDE RAILS FOR RC-T505 & RC-T605

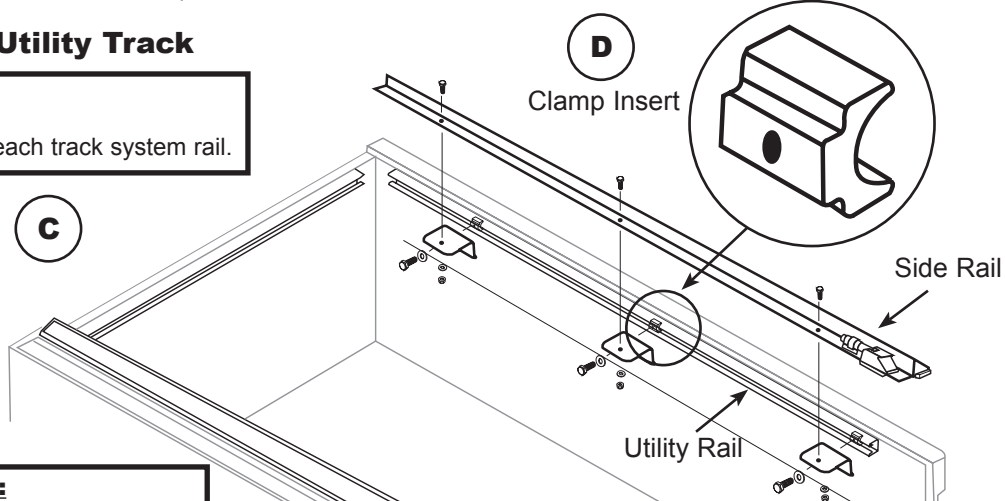
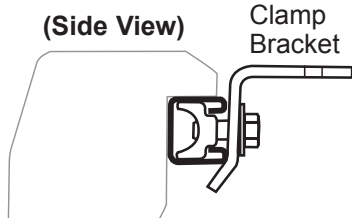
Removing End Plugs and Tie-Downs

INSTRUCTIONS:
 A. Remove track system end plugs from both rails.
 B. Remove tie-downs from both track system rails.



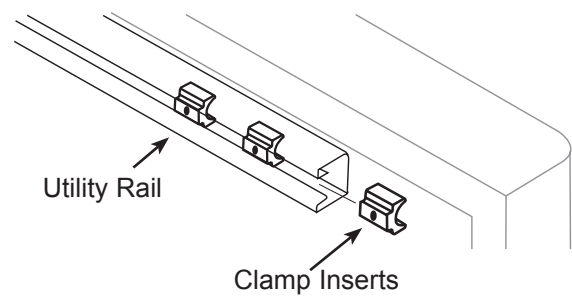
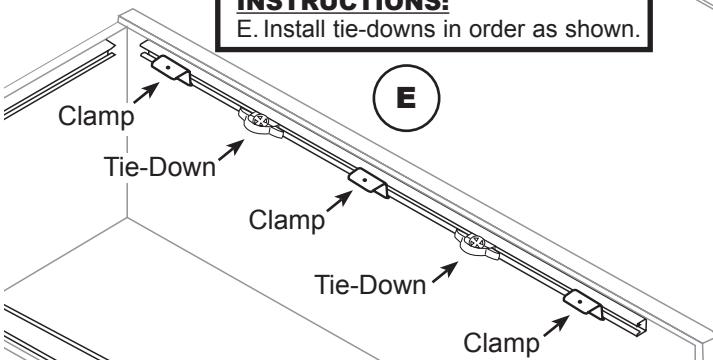
Installing Brackets Into Utility Track

INSTRUCTIONS:
 C. Assemble brackets as shown
 D. Slide (3) clamp assemblies into each track system rail.



If Tie-Downs Are Going To Be Used

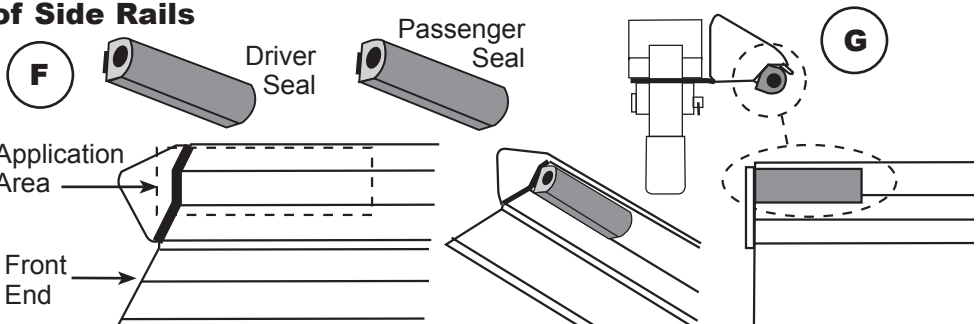
INSTRUCTIONS:
 E. Install tie-downs in order as shown.



2 SIDE RAIL SEAL INSTRUCTIONS

Applying Side Seal To Front of Side Rails

INSTRUCTIONS:
 F. Clean surface underneath side-in seal (cab end) with rubbing alcohol. Clean on both driver and passenger side rails. Driver side shown.
 G. Apply side seal on surface underneath the weather seal. Align flush with the end of the side rail. Driver side shown.



RUGGED COVER

Premium Rollup Cover Rail Installation Instructions For Toyota Tacoma

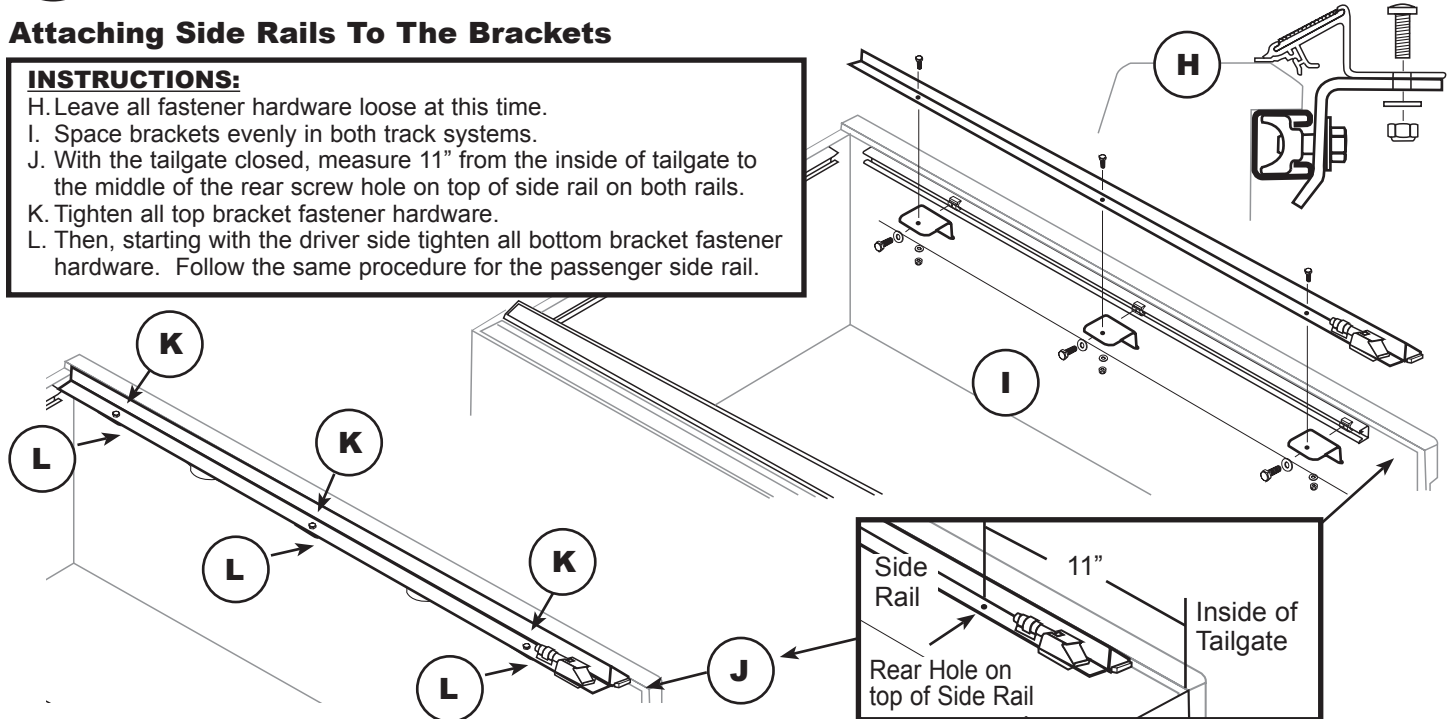
200 Universal Dr. • Owosso, MI 48867 • 989-725-8354 • Fax: 989-725-8409 • 1-800-433-3604

3 INSTALLATION OF SIDE RAILS FOR RC-T505 & RC-T605

Attaching Side Rails To The Brackets

INSTRUCTIONS:

- H. Leave all fastener hardware loose at this time.
- I. Space brackets evenly in both track systems.
- J. With the tailgate closed, measure 11" from the inside of tailgate to the middle of the rear screw hole on top of side rail on both rails.
- K. Tighten all top bracket fastener hardware.
- L. Then, starting with the driver side tighten all bottom bracket fastener hardware. Follow the same procedure for the passenger side rail.

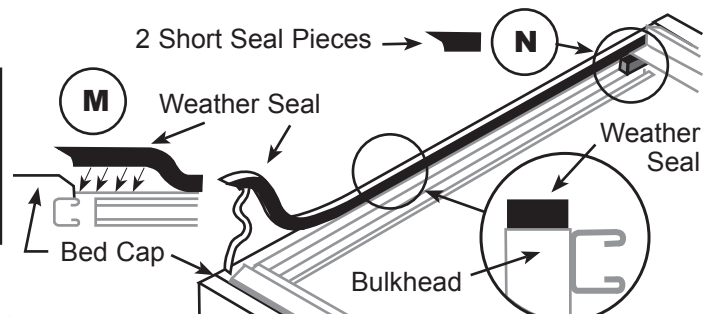


4 FRONT WEATHER SEAL & OPTIONAL REAR SEAL

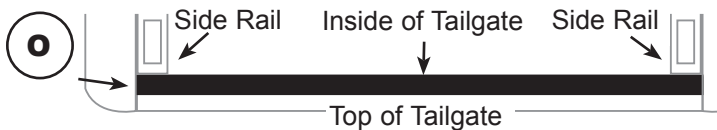
Applying Weather Seal To Front Bulkhead

INSTRUCTIONS:

- M. Apply weather seal across the front of the bulkhead matching up the end of the weather stripping against the side of the plastic rail cap on both sides.
- N. The two short pieces of seal will close gaps between rail and bulkhead seal.



Applying Rear Weather Seal To Tailgate



INSTRUCTIONS:

- O. Optional rear weather seal for tailgate. Attach to top of plastic tailgate piece toward inside of tailgate.

5 INSTALLING FRONT CAB RAIL

Front Rail With Cover

INSTRUCTIONS:

- P. Insert front rail stem into hole in front of side rail. Then slide on washer and screw on front release knob tight on both sides.
- Q. Put Header Seal on top of bulkhead.

