

RUGGED COVER

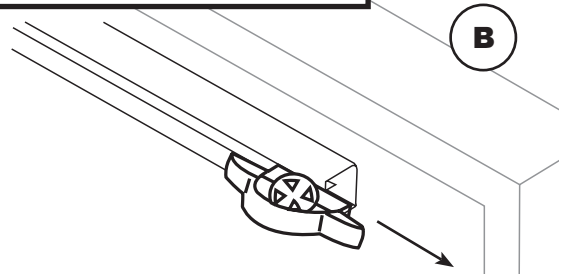
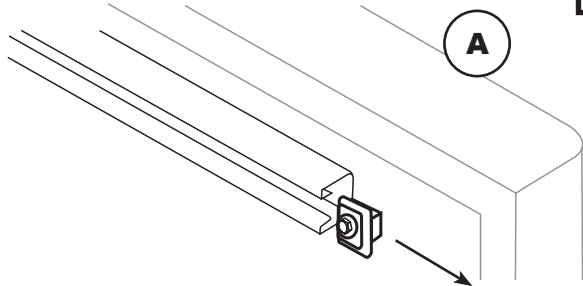
Premium Rollup Cover Rail Installation Instructions For Nissan Titan 04-16

200 Universal Dr. • Owosso, MI 48867 • 989-725-8354 • Fax: 989-725-8409 • 1-800-433-3604

1 PREPARING TO INSTALL SIDE RAILS

Removing End Plugs and Tie-Downs

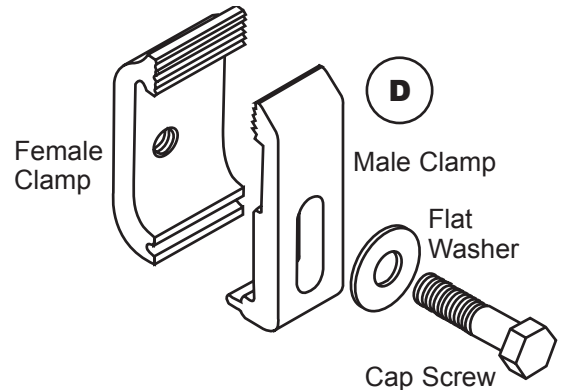
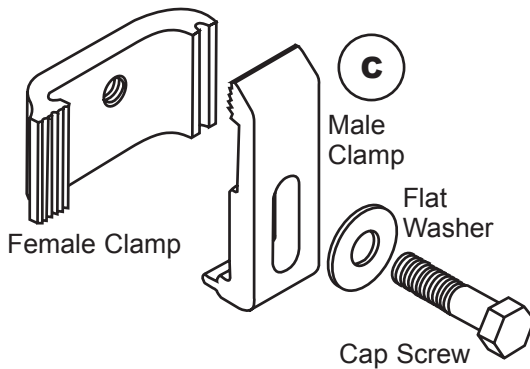
INSTRUCTIONS:
A. Remove track system end plugs from both rails.
B. Remove tie-downs from both track system rails.



2 CLAMPS THAT CAN BE USED WITH OR WITHOUT UTILITY TRACK

Multi Use Clamps

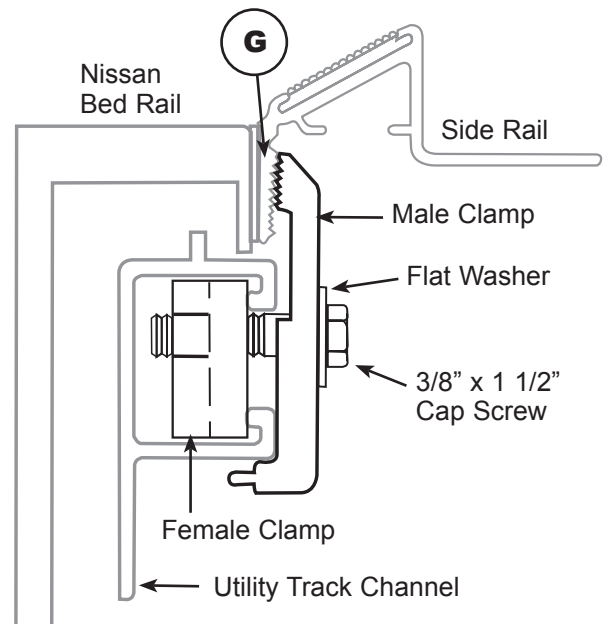
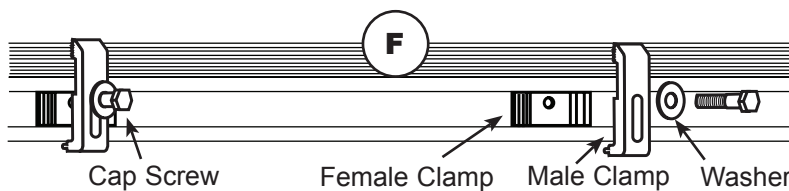
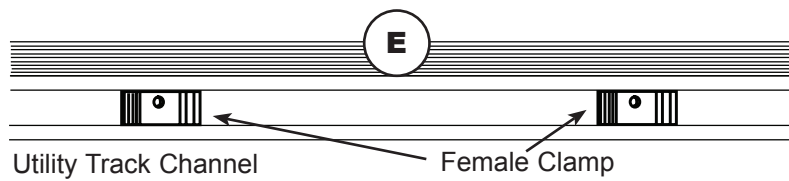
INSTRUCTIONS:
C. Configuration with utility track use.
D. Configuration without utility track use.



3 INSTALLATION OF CLAMPS WITH UTILITY TRACK

Side Rail Clamp and Side Rail Installation

INSTRUCTIONS:
E. Insert three female clamps into utility track channel on both driver and passenger sides.
F. Evenly space and fasten male clamps loosely to female clamps with cap screws on both driver and passenger sides.
G. Install side rails, wedging rails between male clamp and bed rail.



RUGGED COVER

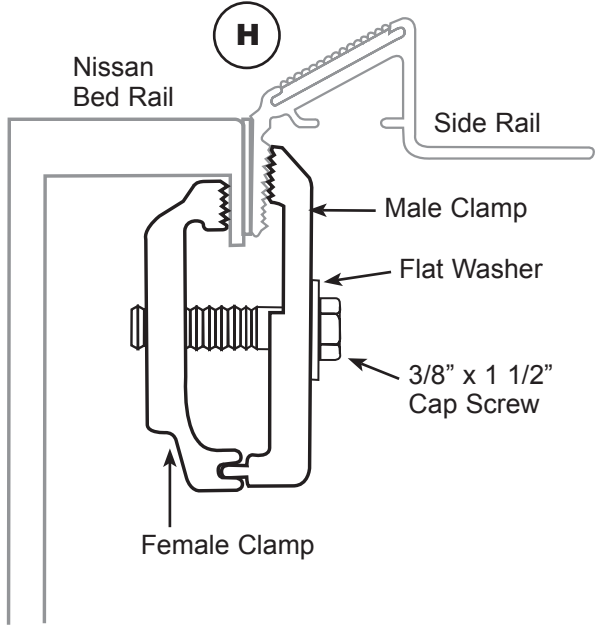
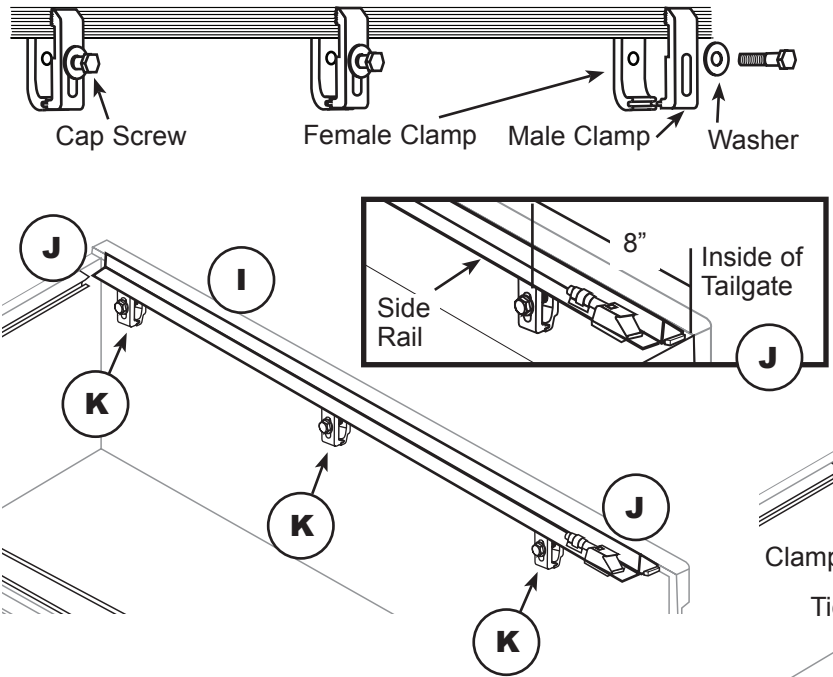
Premium Rollup Cover Rail Installation Instructions For Nissan Titan 04-16

200 Universal Dr. • Owosso, MI 48867 • 989-725-8354 • Fax: 989-725-8409 • 1-800-433-3604

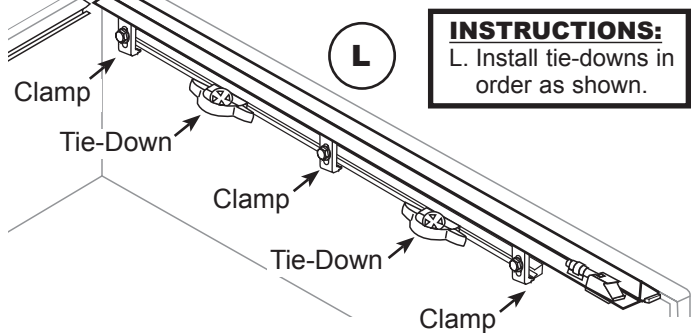
4 INSTALLATION OF CLAMPS WITHOUT UTILITY TRACK

Side Rail Clamp and Side Rail Installation

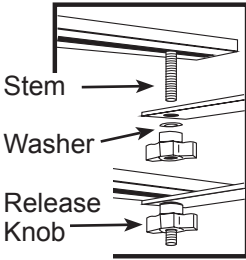
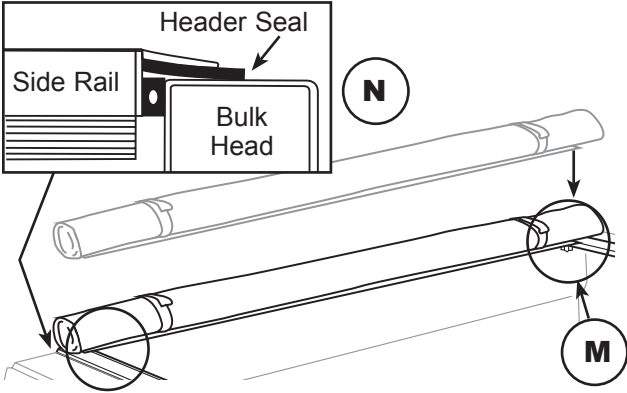
INSTRUCTIONS:
 H Leave all fastener hardware loose at this time.
 I Space three brackets evenly for both side rails.
 J. With the tailgate closed, measure 8" from the inside of tailgate and that is where the rear clamp attaches to rail. Do the same for front clamp. This goes for both rails.
 K. Tighten all clamps.



If Tie-Downs Are Going To Be Used With Utility Track Channel



INSTRUCTIONS:
 L. Install tie-downs in order as shown.



Installing Front Cab Rail

INSTRUCTIONS:
 M. Insert front rail stem into hole in front of side rail. Then slide on washer and screw on front release knob tight on both sides.
 N. Put Header Seal on top of bulk head.