

RUGGED COVER

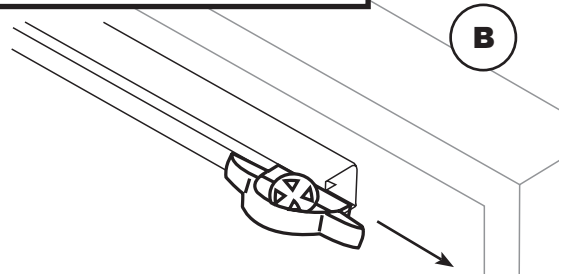
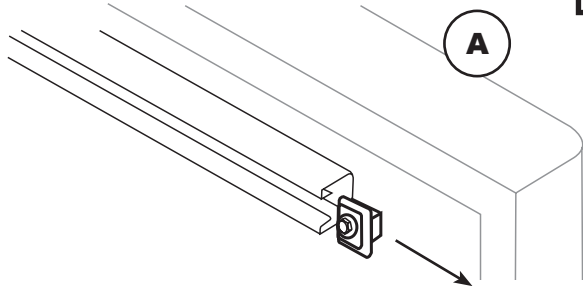
Premium Rollup Cover Rail Installation Instructions For Nissan Frontier

200 Universal Dr. • Owosso, MI 48867 • 989-725-8354 • Fax: 989-725-8409 • 1-800-433-3604

1 PREPARING TO INSTALL SIDE RAILS FOR RC-NF505 & RC-NFK605

Removing End Plugs and Tie-Downs

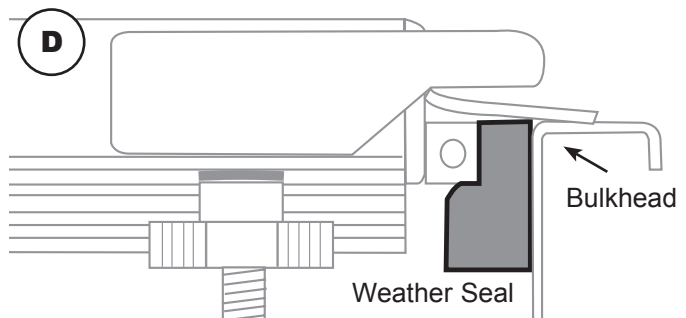
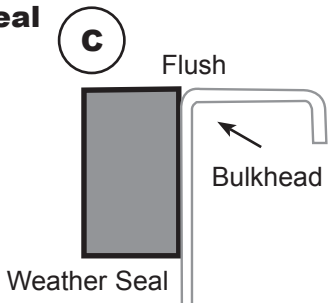
INSTRUCTIONS:
 A. Remove track system end plugs from both rails.
 B. Remove tie-downs from both track system rails.



2 FRONT WEATHER SEAL

Installing Cab Weather Seal

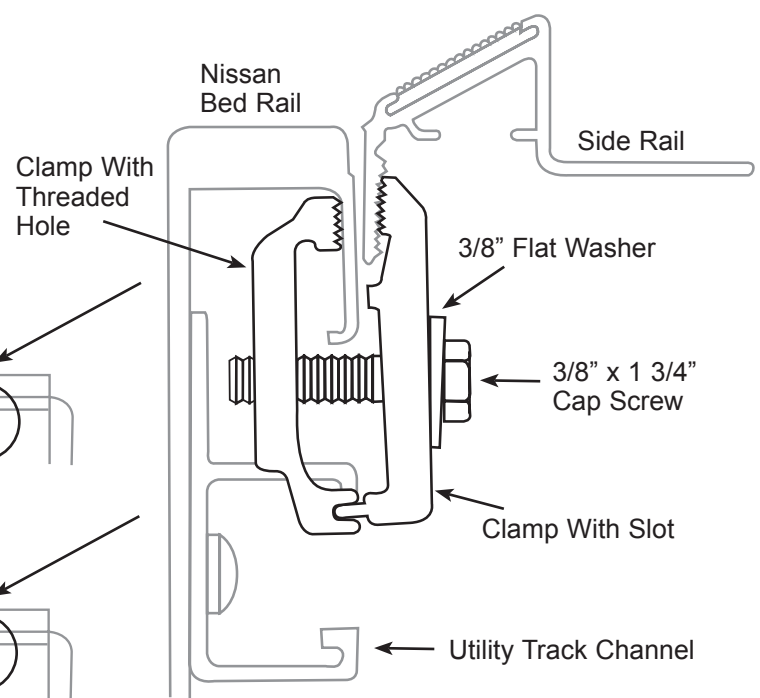
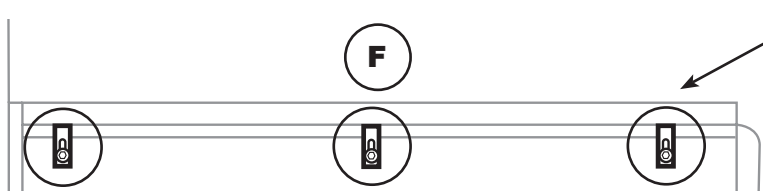
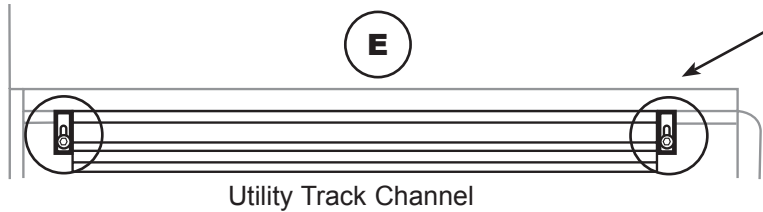
INSTRUCTIONS:
 C. Install cab weather seal inside front bulkhead above the utility track covering full width of cab.
 D. Position side rails against cab weather seal shown.



3 INSTALLATION OF CLAMPS WITH OR WITHOUT UTILITY TRACK

Side Rail Clamp Installation

INSTRUCTIONS:
 E. If your pickup bed has utility track channel, install two clamps one at each end of the utility track on both driver and passenger sides.
 F. If your pickup bed does not have utility track channel install three clamps on each rail on both driver and passenger sides.



RUGGED COVER

Premium Rollup Cover Rail Installation Instructions For Nissan Frontier

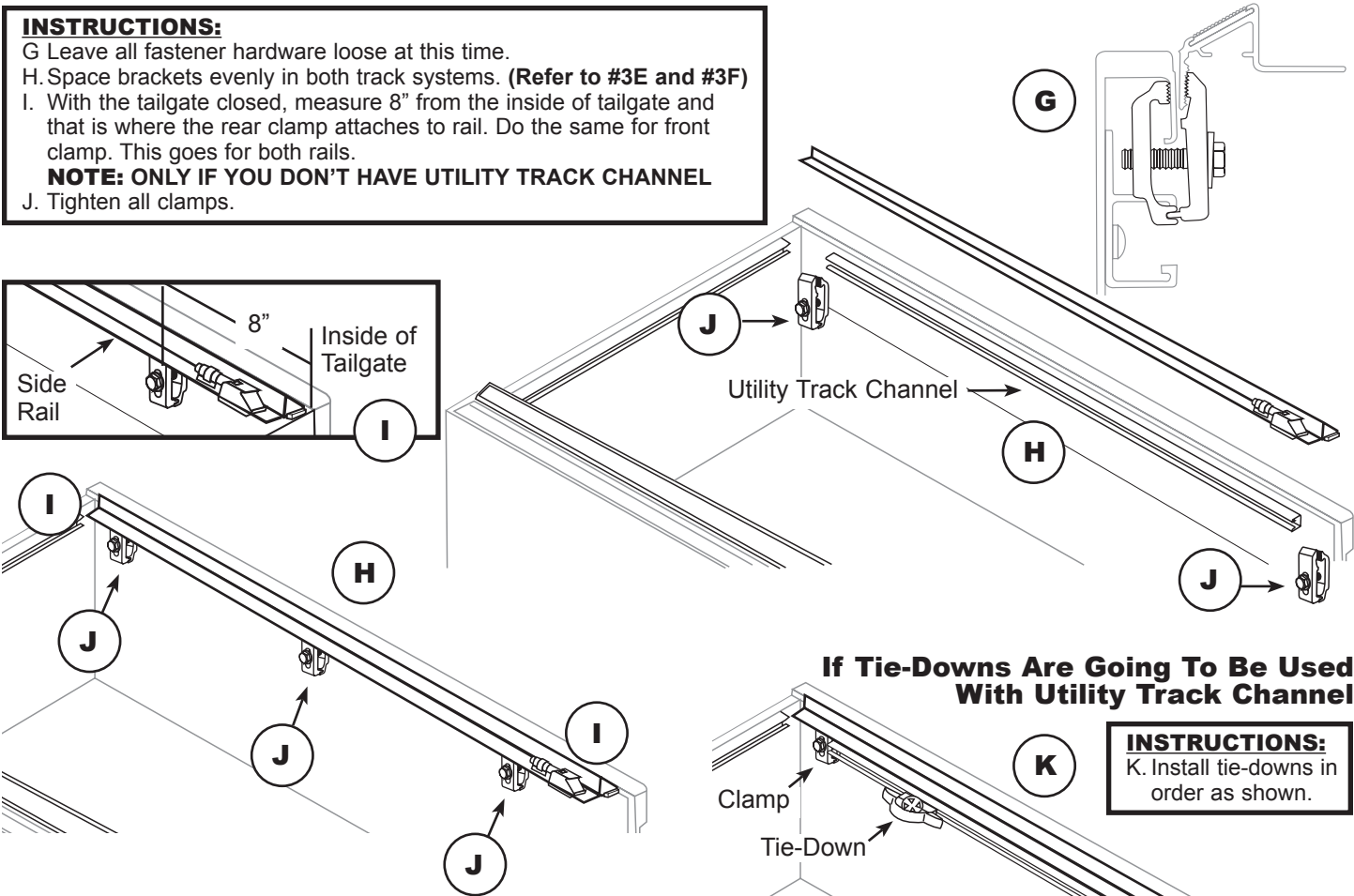
200 Universal Dr. • Owosso, MI 48867 • 989-725-8354 • Fax: 989-725-8409 • 1-800-433-3604

4 INSTALLATION OF SIDE RAILS AND FRONT CAB RAIL

Attaching Side Rails To The Brackets

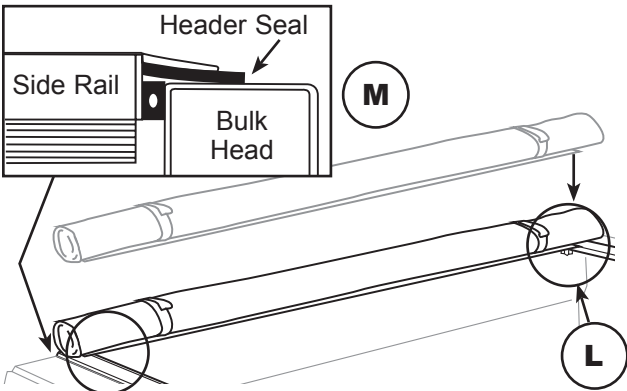
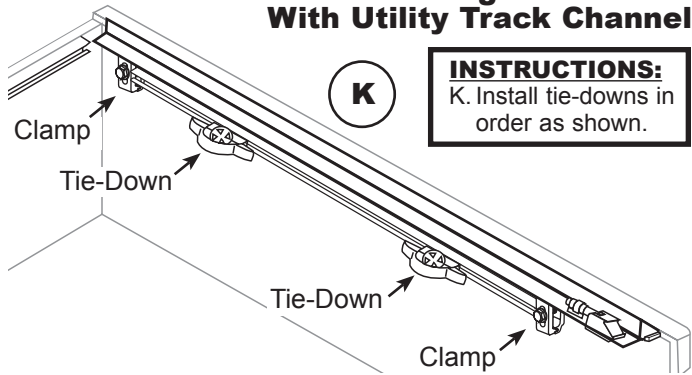
INSTRUCTIONS:

- G. Leave all fastener hardware loose at this time.
- H. Space brackets evenly in both track systems. (Refer to #3E and #3F)
- I. With the tailgate closed, measure 8" from the inside of tailgate and that is where the rear clamp attaches to rail. Do the same for front clamp. This goes for both rails.
- NOTE: ONLY IF YOU DON'T HAVE UTILITY TRACK CHANNEL**
- J. Tighten all clamps.



If Tie-Downs Are Going To Be Used With Utility Track Channel

INSTRUCTIONS:
K. Install tie-downs in order as shown.



Installing Front Cab Rail

INSTRUCTIONS:
L. Insert front rail stem into hole in front of side rail. Then slide on washer and screw on front release knob tight on both sides.
M. Put Header Seal on top of bulk head.