

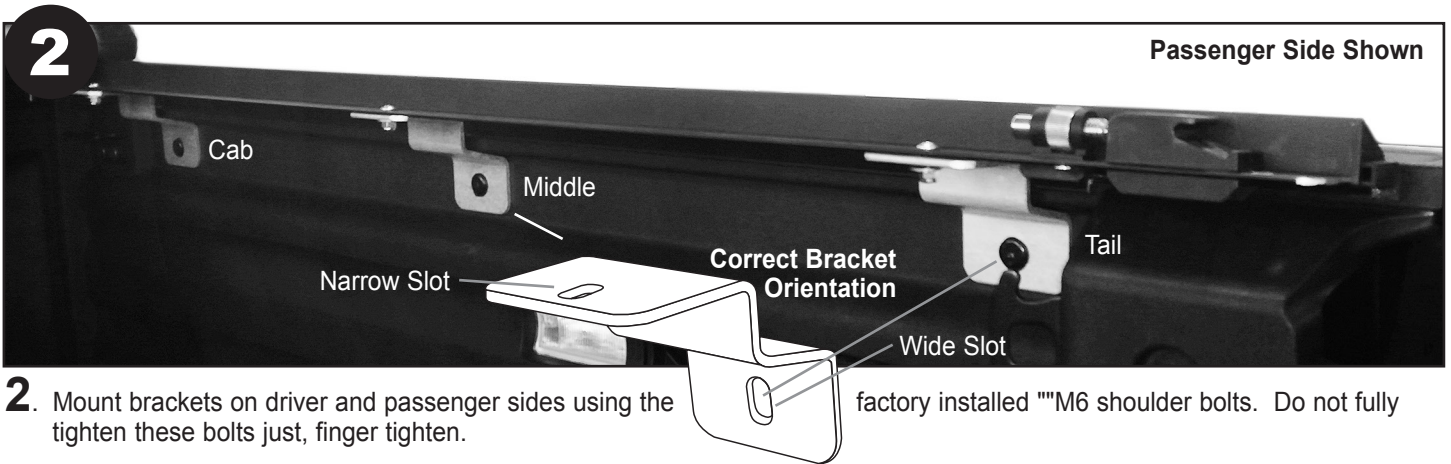
RUGGED COVER

RC-HRL17 Honda Ridgeline Rail Installation Instructions

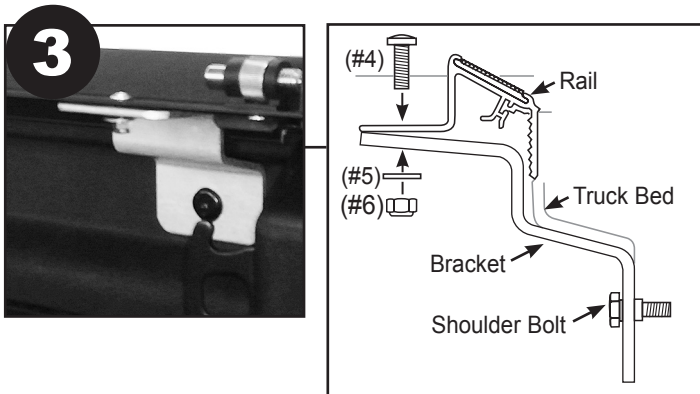
200 Universal Dr. • Owosso, MI 48867 • 989-725-8354 • Fax: 989-725-8409 • 1-800-433-3604



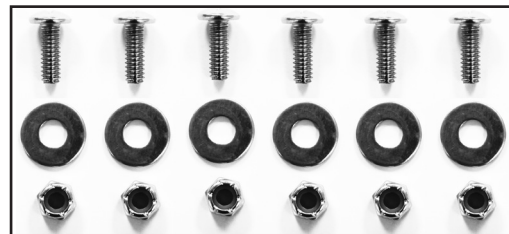
1. Remove the (3) M6 shoulder bolts from both the driver and passenger side box with T-27 torx wrench. Keep all (6) bolts.



2. Mount brackets on driver and passenger sides using the factory installed M6 shoulder bolts. Do not fully tighten these bolts just, finger tighten.



3. Fasten driver and passenger side rails using (#4) Pan Head screw 1/4"-20 x 3/4" and (#5) 1/4" flat washers and (#6) 1/4"-20 hex nylon lock nuts. But leave bolts loose.



4. With everything loosely assembled tighten all six (M6) shoulder Bolts making the bracket tight to the truck bed, leaving the rails able to move.
5. Push the rails against the truck bed and tighten the pan head bolts.
6. Tighten all fasteners. Repeat steps 1-5 on driver's side. See tonneau cover install sheet for installing the rest of cover.