

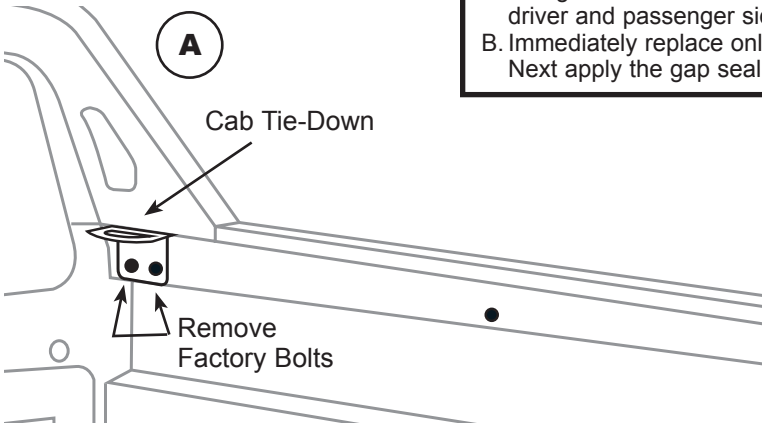
RUGGED COVER

Premium Rollup Cover Rail Installation Instructions For Honda Ridgeline

200 Universal Dr. • Owosso, MI 48867 • 989-725-8354 • Fax: 989-725-8409 • 1-800-433-3604

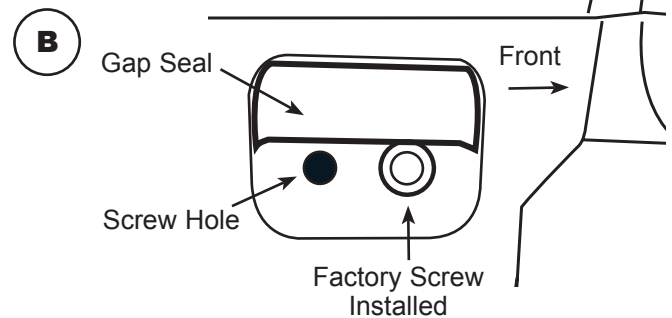
1 PREPARING TO INSTALL SIDE RAILS FOR RC-HRL05

Removing Front Tie-Downs



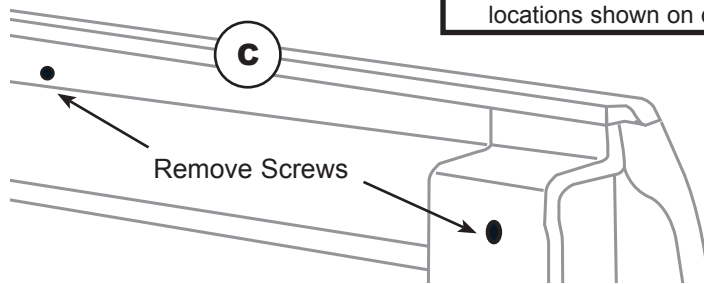
INSTRUCTIONS:

- A. Using a T-50 torx wrench, remove upper tie-down hooks located near the cab on both driver and passenger side of truck. **(Tie-Downs will not be replaced)**
- B. Immediately replace only the front factory screw on both driver and passenger sides. Next apply the gap seal as shown. Just above the screw holes.



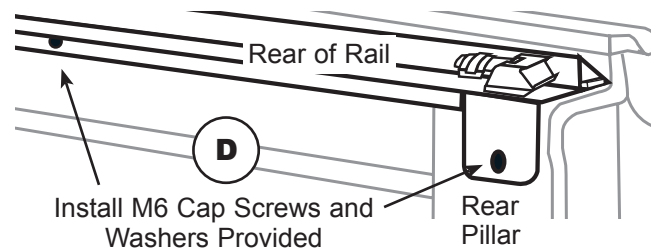
2 FACTORY SCREWS REMOVED and SIDE RAILS INSTALLED

Removing Factory Screws and Installing Side Rails



INSTRUCTIONS:

- C. Using a T-40 torx wrench, remove factory installed M6 screws, lock washers and flat washers on both driver and passenger sides. **(Factory screws will not be re-used)**
- D. Fasten side rails to inside of truck bed with M6 screws and washers provided in locations shown on driver and passenger sides. Back of rail sits on top of rear pillar.

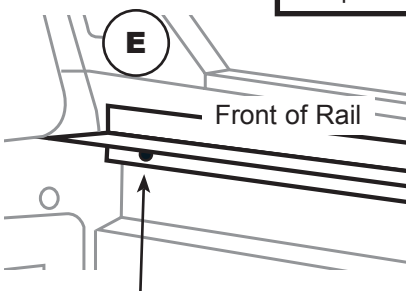


3 FINISHING INSTALLATION

Side Rails, Front Seal and Adjusting Cover

INSTRUCTIONS:

- E. Install M8 screws, lock washers and flat washers in each location shown. Tighten all fasteners that are mentioned in 2D and 3E on driver and passenger sides.
- F. Make sure the front lip of seal sits on top of the cab bulkhead as shown.
- G. Open and close cover to adjust cover side to side fit by using the supplied loops to lift and adjust cover.



Install M8 Cap Screws and Washers Provided

