

# INSTALLATION INSTRUCTIONS

## Rear Inner Wheel Well Liner

### CHEVY / GMC 2019+

### LIK-68



#### List of Contents:

1 Pc. Passenger's side Inner Wheel Well Liner



1 Pc. Driver's side Inner Wheel Well Liner



1 Pc. Installation Kit

14 pc. Push Pin

6 pc. Screw protector

1 pc. Installation Instructions.



#### Preparations:

Clean the interior panels of the rear Wheel well.

Installation time  
estimated: 20 min.

#### Instructions:

**1. PLEASE READ INSTRUCTIONS CAREFULLY BEFORE STARTING THE INSTALLATION.**

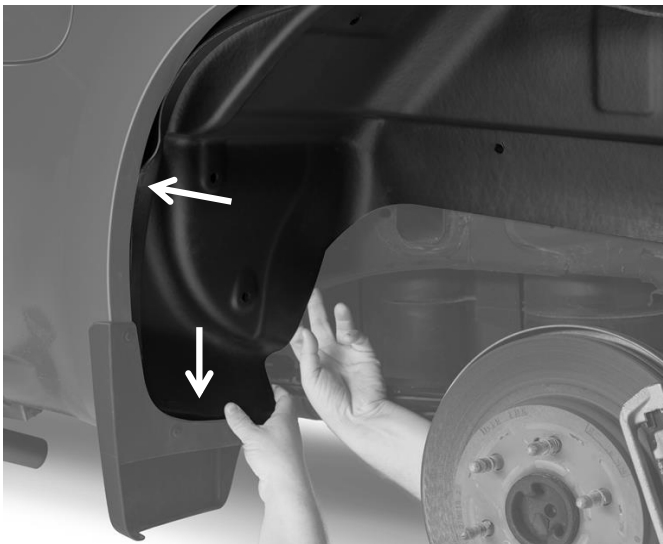
**NOTE: FOR EASIER INSTALLATION THE TIRE CAN BE REMOVED.**

**One person can perform the installation.**

**2.** Starting on the Passenger's side, mount the Inner Wheel Well Liner marked as (PS) inside the inner panel of the wheel Well.



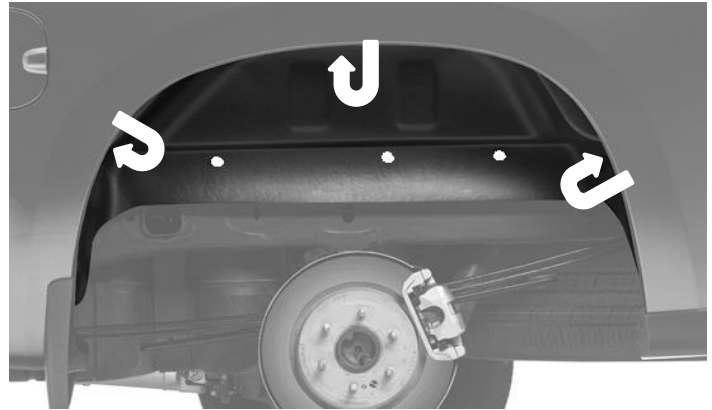
**3.** Insert the bottom sides behind the metal flange.



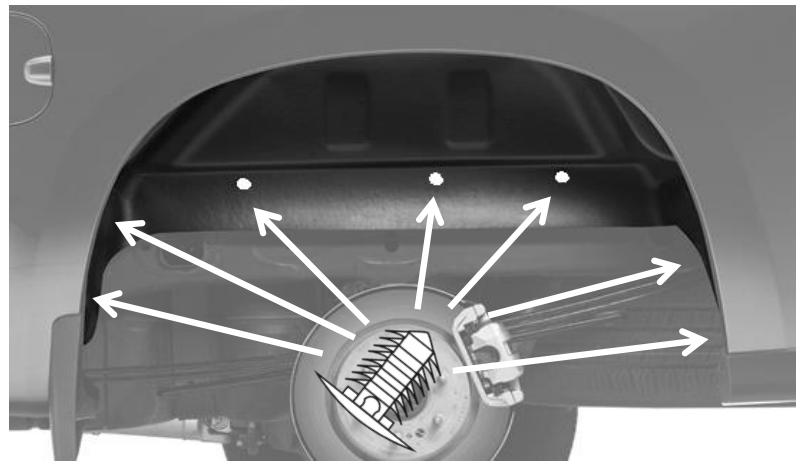
**INSTALLATION INSTRUCTIONS**  
**Rear Inner Wheel Well Liner**  
**CHEVY / GMC 2019+**  
**LIK-68**



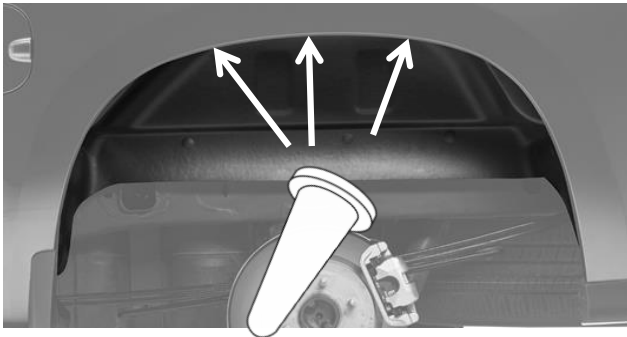
**4.** Insert the upper section of the plastic liner behind the metal flange. Make sure all edges are tucked inside the metal edge of the wheel well.



**5.** Locate 7 pre-drilled holes and Install one Push Pin in each location.



**6.** Locate 3 screw studs, and attach one rubber screw protector onto each stud.



**7.** Re- Install the tire, if removed



**Repeat steps 2 - 7 on  
driver's side**

**Care and Maintenance Recommendations**

To protect the appearance of this product, wash with soap and water