



200 Universal Dr. • Owosso • MI 48867
989-725-8354 • Fax 989-725-8409
1-800-433-3604




Installation Kit No. LIK-27 (108)

Contents: (8) Flat Washers

INSTALLATION INSTRUCTIONS

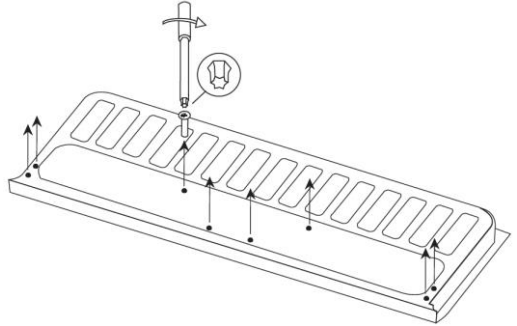
Required tools:

- Torx Screwdriver T30 

Preparations:

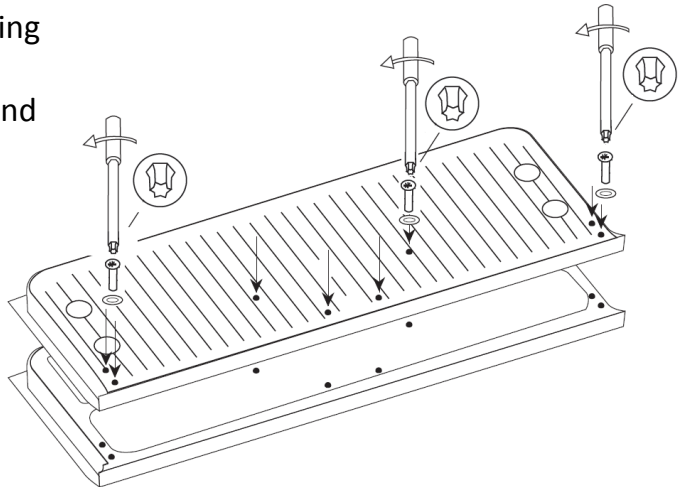
Clean and dry the cargo box of your truck.

- With a Torx screw driver T30 Remove 6 or 8 OEM screws corresponding with the pre-drilled holes in the Tailgate cover
- SAVE OEM Screws.



Step 1

- Install Tailgate using the OEM screws saved in step 1, and the flat washers provided.



Step 2